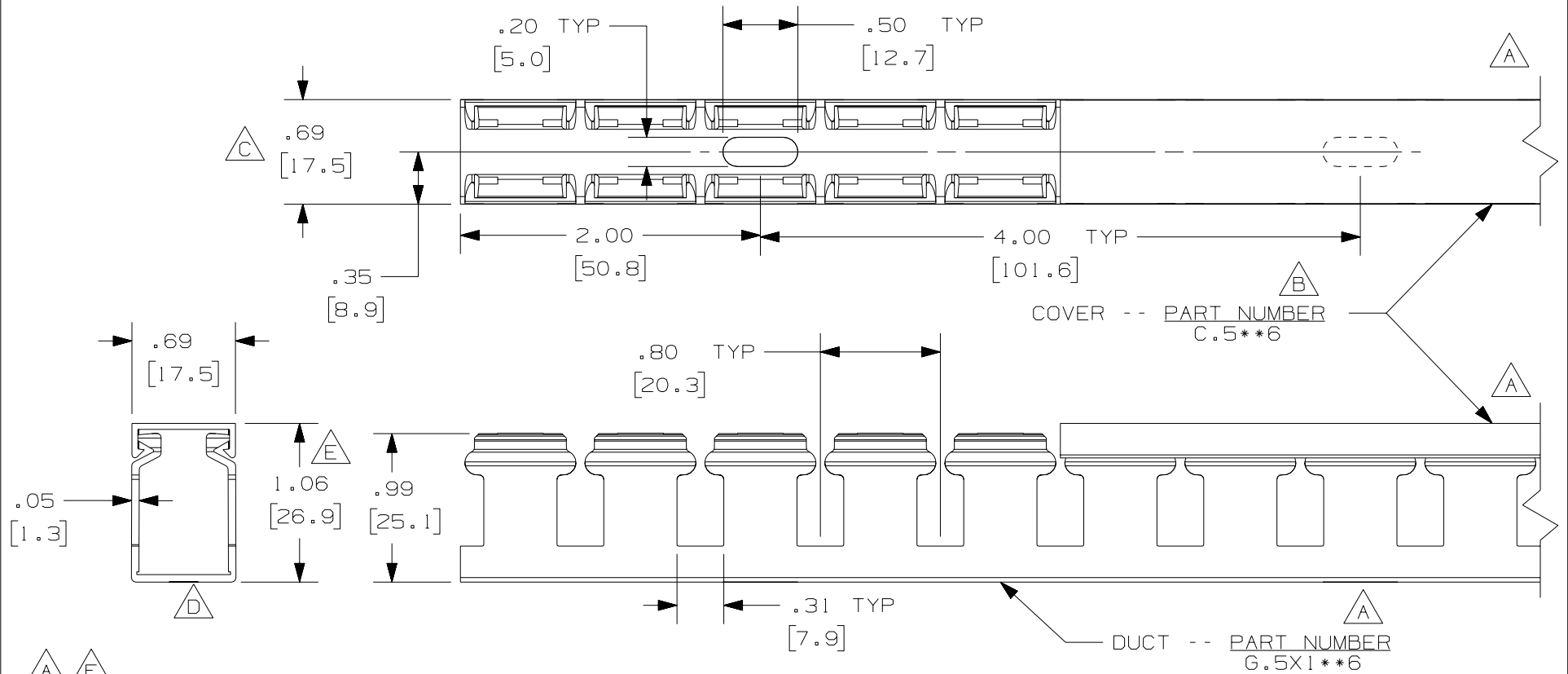


THIS COPY IS PROVIDED ON A RESTRICTED BASIS AND IS NOT TO BE USED IN ANY WAY DETRIMENTAL TO THE INTERESTS OF PANDUIT CORP.



NOTE.

1. ALL DIMENSIONS ARE REFERENCE ONLY.
2. DIMENSIONS IN PARENTHESES ARE METRIC.
3. THE ** DENOTE COLOR.
4. DUCT AND COVER ARE AVAILABLE IN 6 FT [1828.8] LENGTHS.

CAD FILENAME/LAYERS D11000PY_DC_00C

PANDUIT CORP. TINLEY PARK, ILLINOIS

WIRING DUCT - TYPE G DUCT WITH COVER
.5 X 1
MARKETING DRAWING

REV	DATE	BY	CHK	DESCRIPTION
2	7/6/07	JCSt	MKBE	D. DELETED DIMENSION C. ADDED DIMENSION
1	4/23/04	JCSt	MKBE	B. CHANGED VIEW A. ADDED TOP VIEW, LABELS, AND NOTES
R	2/21/03	JCSt	JGG	DRAWING RELEASED

DRAWN BY JCSt	MAT'L; PVC	SCALE FULL
DATE 2/21/03		DRAWING NO. 36897-689
CHK'D JGG		DWG SIZE A